



NATURAL VENTILATED

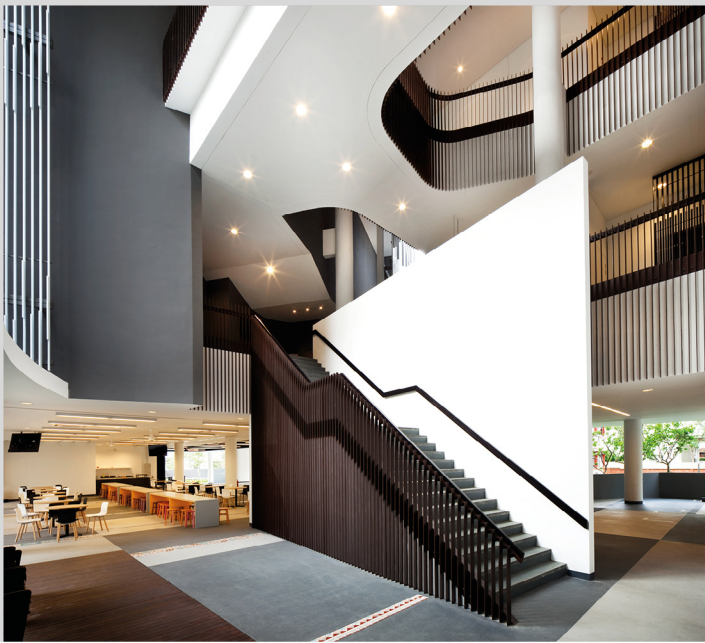
Naturally ventilated atrium spaces are connected to the stairways and circulatory spaces are weaved within the building.

Other functional spaces such as the offices, classrooms etc. are equipped with air-conditioning and option of cross ventilation through connections with the open corridor and exterior of the building.

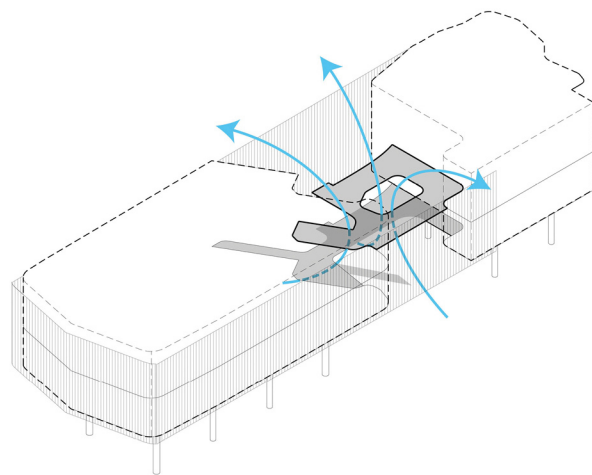
CIRCULATION AND FLEXIBILITY OF SPACES

The first floor innovatively incorporates a car drop off, ramp to basement parking and pedestrian entrance into the upper body of the building. This first floor also acts as a multi-functional open air event space, as well as parking zone during overflow hours. Imagined as a dining hall, festival spaces, activity space it can be repurposed at will by the congregation.

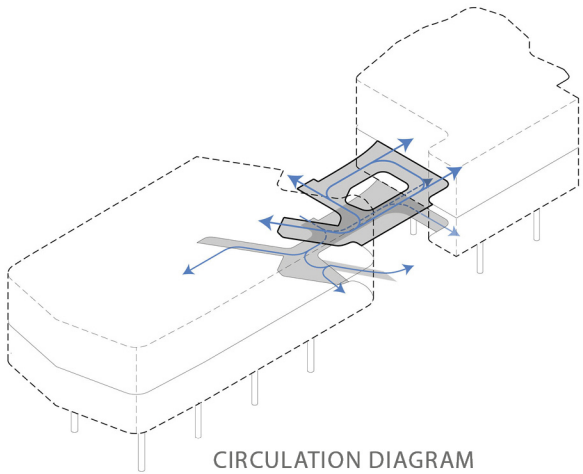
STAIRCASE LEADING UP TO MAIN SANCTUARY



AIR FLOW - VENTILATION DIAGRAM



OPEN CORRIDOR CONNECTING TO EXTERIOR OF BUILDING



CIRCULATION DIAGRAM

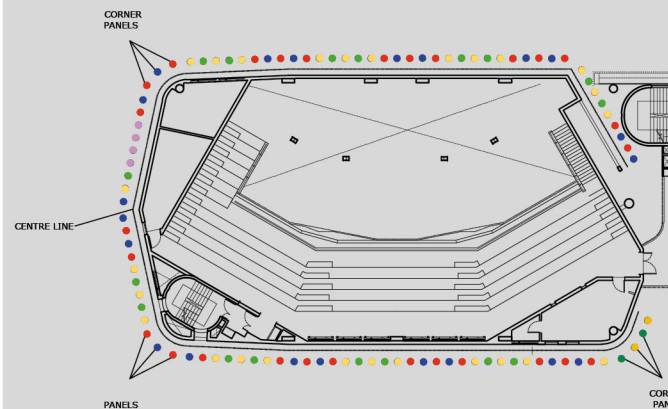


SUSTAINABILITY | MODULARITY IN DESIGN

minimal standard modules. maximum effect

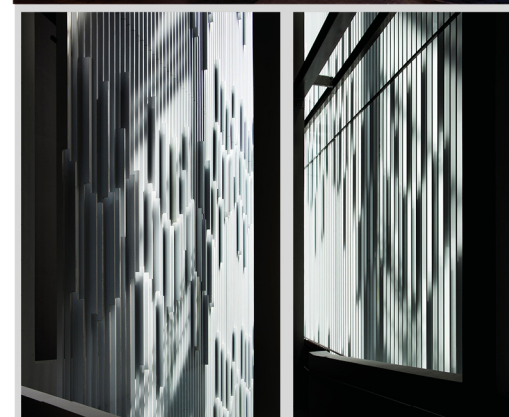
The same sized aluminium RHS has been procured and employed to provide variation in design.

shifting modules of simple rectangular aluminium extrusions were set out in a minimal of 5 different panels and these panels further assembled to achieve the layering and undulating effect. These screens envelop the sides and back facade of the church, and are extended into the internal 'open' spaces for a sense of continuity



SCREEN AS SHADING DEVICE

the screen, also a sun shading device aids in achieving thermal comfort of the open spaces within the building.



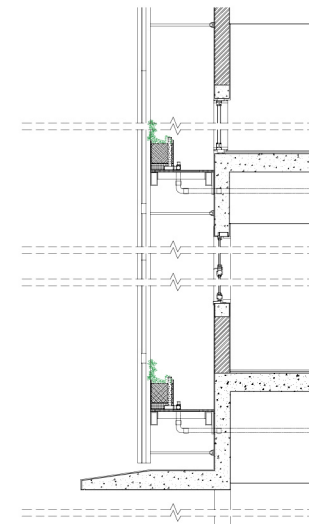
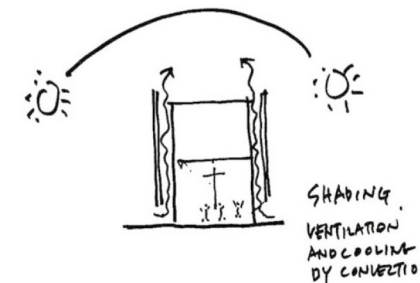
MODULATED FACADE LIGHT AND SHADOW

this animated facade filters light into the building creating a array of slatted light and shadow effects.



SUSTAINABILITY | GREENERY CONCEPT

The green strategy looks to creating an environment that is conducive to learning and nurturing. The green walls on the Western and Eastern facade, along with overlapping voids punctured through the centre core of the building with naturally ventilated circulation routes ensure a comfortable environment for unfolding activities within come rain or shine.



DETAIL OF VERTICAL GREEN WALL

Green Walls | Vertical Green

The green walls were strategically placed on Western and Eastern faces for optimal growth in Singapore's climate.

